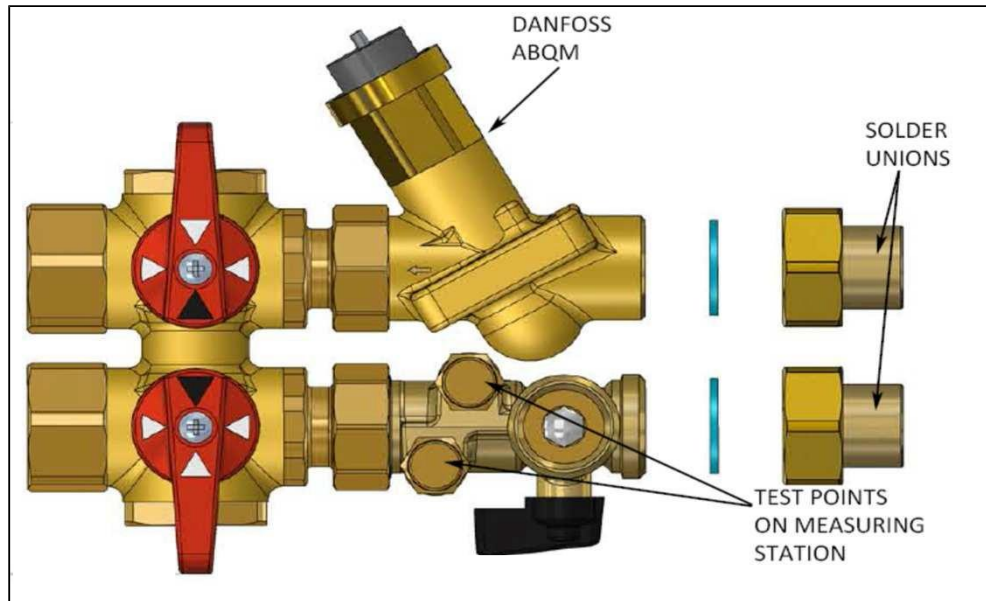


Product Sheet

Pre-Fabricated Flushing Bypass Assembly for Terminal Applications
Mini-Flush 40



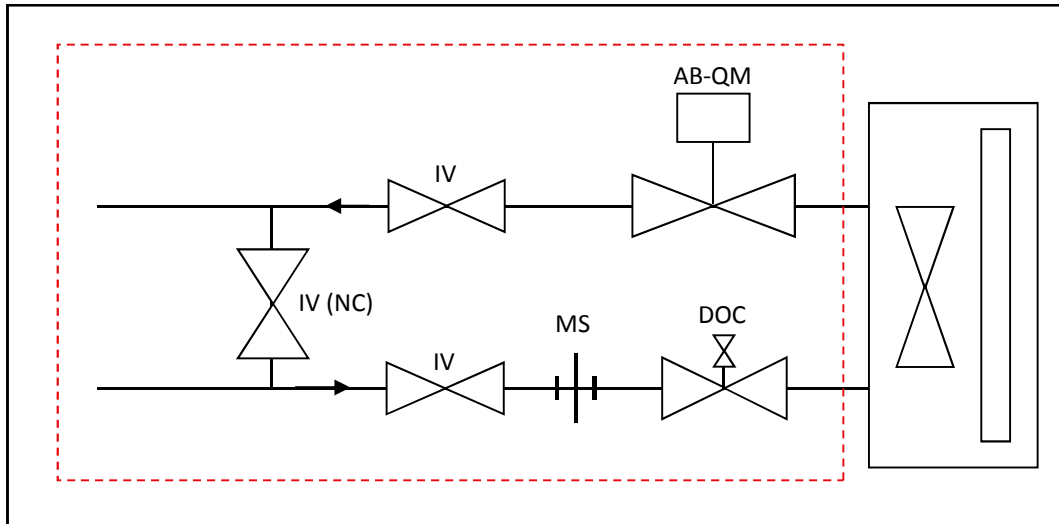
Description

Miniflush 40 is a pre-fabricated, flushing bypass arrangement for balance, control, isolation, and operation of terminal devices. It is designed for use with fan coil units, chilled beams, and other terminal devices, where flow is controlled via a pressure independent control valve, and isolation, drain, flushing bypass, and flow measurement is required.

Key features include:

- A compact, pre-fabricated design
- Factory pressure tested assembly
- Each assembly is labelled with FCU location and Miniflush 40 instructions
- High flow DN15 option for direct connection to CHW terminals with flows up to 0.315 l/s
- Low flow option for LTHW flow rates down to 0.008 l/s
- Left and right handed versions to prevent clashes within the fan coil
- A wide range of connection options, including BSP, compression, and solder connections to the coil
- Danfoss AB-QM type pressure independent control valve for balance at full or partial loads
- A comprehensive compatible range of actuators to enable it to be connected to a building management system or other controller
- Flow mounted drain for flushing and quick drain-downs
- Flow measurement function in all sizes

Schematic and Design



Schematic Symbol Guide

- AB-QM - Pressure Independent Control Valve (actuator supplied separately)
- DOC - Drain point
- IV - Isolation valve
- MS - Measuring station

Ordering

Type	Position on Terminal	Nominal Valve Flow Rate l/h	Recommended Q Max (l/h)	Recommended Q Min (l/h)	Orifice kVs	Connection Size	Connection Type Pipework	Connection Type Terminal	Actuator Type Modulating	Actuator Type 3-Point	Actuator Type Thermic
Miniflush 40 10LF 0.3	Left Handed	150	60	30	0.3	3/4" x 15 or 22mm	Internal Threaded	Solder	AME 110NL	AMV 110NL	TWA-Z
Miniflush 40 15LF 0.6	Left Handed	275	90	60	0.6	3/4" x 15 or 22mm	Internal Threaded	Solder	AME 110NL	AMV 110NL	TWA-Z
Miniflush 40 15LF 0.9	Left Handed	275	230	90	0.9	3/4" x 15 or 22mm	Internal Threaded	Solder	AME 110NL	AMV 110NL	TWA-Z
Miniflush 40 15 2.1	Left Handed	450	450	230	2.1	3/4" x 15 or 22mm	Internal Threaded	Solder	AME 110NL	AMV 110NL	TWA-Z
Miniflush 40 15HF 4.0	Left Handed	1135	600	450	4.0	3/4" x 15 or 22mm	Internal Threaded	Solder	AME 110NL	AMV 110NL	TWA-Z
Miniflush 40 15HF 5.6	Left Handed	1135	1135	600	5.6	3/4" x 15 or 22mm	Internal Threaded	Solder	AME 110NL	AMV 110NL	TWA-Z
Miniflush 40 10LF 0.3	Right Handed	150	60	30	0.3	3/4" x 15 or 22mm	Internal Threaded	Solder	AME 110NL	AMV 110NL	TWA-Z
Miniflush 40 15LF 0.6	Right Handed	275	90	60	0.6	3/4" x 15 or 22mm	Internal Threaded	Solder	AME 110NL	AMV 110NL	TWA-Z
Miniflush 40 15LF 0.9	Right Handed	275	230	90	0.9	3/4" x 15 or 22mm	Internal Threaded	Solder	AME 110NL	AMV 110NL	TWA-Z
Miniflush 40 15 2.1	Right Handed	450	450	230	2.1	3/4" x 15 or 22mm	Internal Threaded	Solder	AME 110NL	AMV 110NL	TWA-Z
Miniflush 40 15HF 4.0	Right Handed	1135	600	450	4.0	3/4" x 15 or 22mm	Internal Threaded	Solder	AME 110NL	AMV 110NL	TWA-Z
Miniflush 40 15HF 5.6	Right Handed	1135	1135	600	5.6	3/4" x 15 or 22mm	Internal Threaded	Solder	AME 110NL	AMV 110NL	TWA-Z

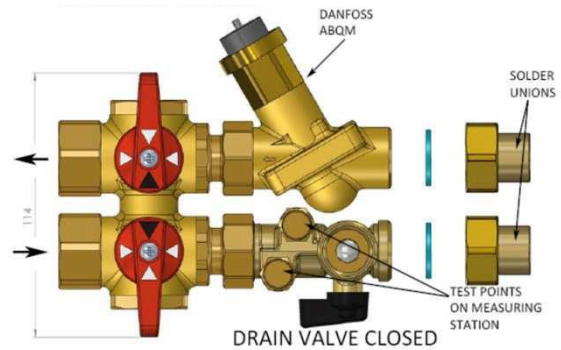
Notes:

- The recommended flow rates are to enable accurate measurement of flow
- Actuators need to be ordered separately
- Options are available for connection to the pipework and terminal. Please discuss with your representative prior to ordering

Operational Modes

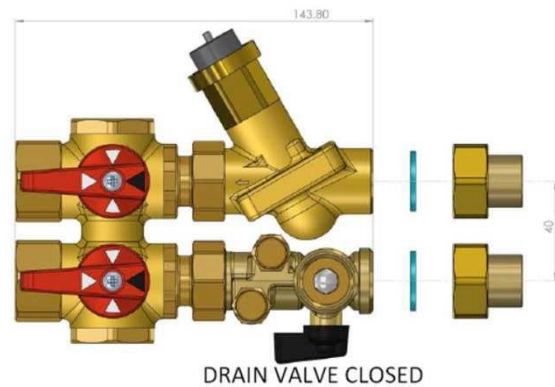
Supply

This is the normal operation of the Mini-flush, with flow going through terminal, and out through the return, back to the system. The AB-QM valve will balance by limiting the flow to the coil, and the actuator will control flow as per the temperature requirement.



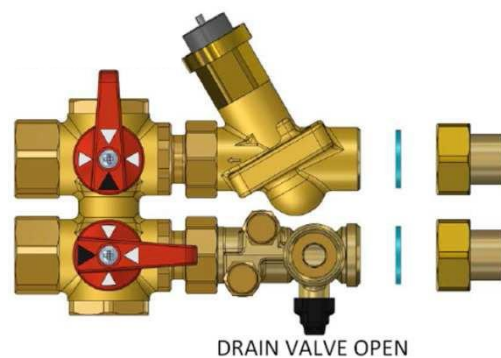
Flushing

During system flushing, the terminal will be isolated, but a flow around the main system is required. To enable bypassing we have positioned a flushing bypass within the Mini-flush assembly, which can open a link between flow and return, to enable mainline system flow for flushing.



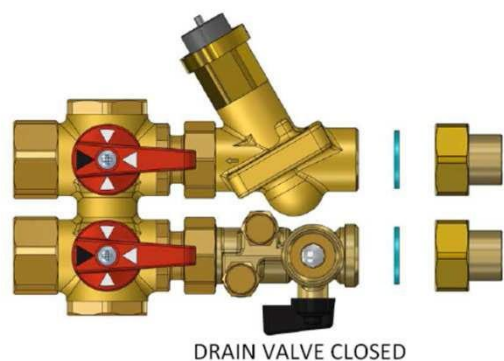
Back Flushing

To enable flushing through the terminal, the return can be opened, with the flow and bypass isolation valves closed. The drain is then opened, to allow flow through the coil, and any coil debris will be released through the flow side drain point.



Isolation

For a variety of reasons, it may be required to completely isolate the terminal. For this we can isolate the flow and return, and close the bypass, to remove all flow through the coil and bypass.



Pressure Independent Control Valve Specification

Description

The precise flow control performance of the AB-QM with a Danfoss actuator provides increased comfort and superior Total Cost of Ownership because of savings made on:

- Efficient energy transfer and minimal pumping costs since there are no overflows at partial loads because of the exact pressure independent flow limitation.
- Smaller pump investments and lower energy consumption as the pump head needed is lower than in the traditional setup. With the built-in test plugs it is easy to troubleshoot and find the optimal setpoint for the pump.
- Reduced movements of the actuator since the built-in differential pressure controller ensure the pressure fluctuations do not influence the room temperature.
- Achieving a stable temperature in a room leading to a lower average temperature at the same comfort level.
- Minimal flow complaints, as the valve performs as designed.
- Minimal blockage complaints, as the membrane design makes AB-QM less susceptible to blockage than a cartridge type constriction.
- Trouble-free segmentation of the building project. When sections of a project are finished they can normally not be handed over to the customer with a fully functional HVAC installation. However the AB-QM with a Danfoss actuator will automatically control the flow, even when other parts of the installation are still unfinished. It's not needed to adjust the AB-QM after finalisation of the project.
- Commissioning costs, the costs are close to zero because of a convenient setting procedure without the need for flow charts, calculations or measuring equipment. The AB-QM valves can be set to a precise design value even when the system is up and running.
- Halved mounting costs as the AB-QM valve covers two functions, Balancing & Control



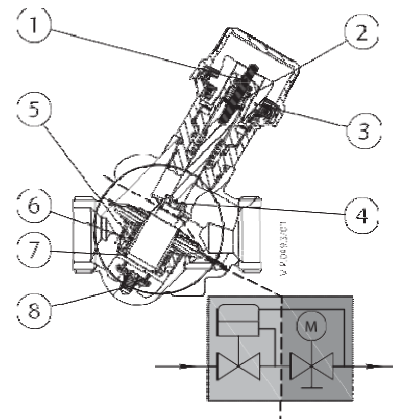
Operation of the AB-QM Balancing and Control Valve

Differential pressure controller DPC

The differential pressure controller maintains a constant differential pressure across the control valve. The pressure difference Δp_{Cv} (P2-P3) on the membrane is balanced with the force of the spring. Whenever the differential pressure across the control valve changes (due to a change in available pressure, or movement of the control valve) the hollow cone is displaced to a new position which brings a new equilibrium and therefore keeps the differential pressure at a constant level.

Control valve Cv

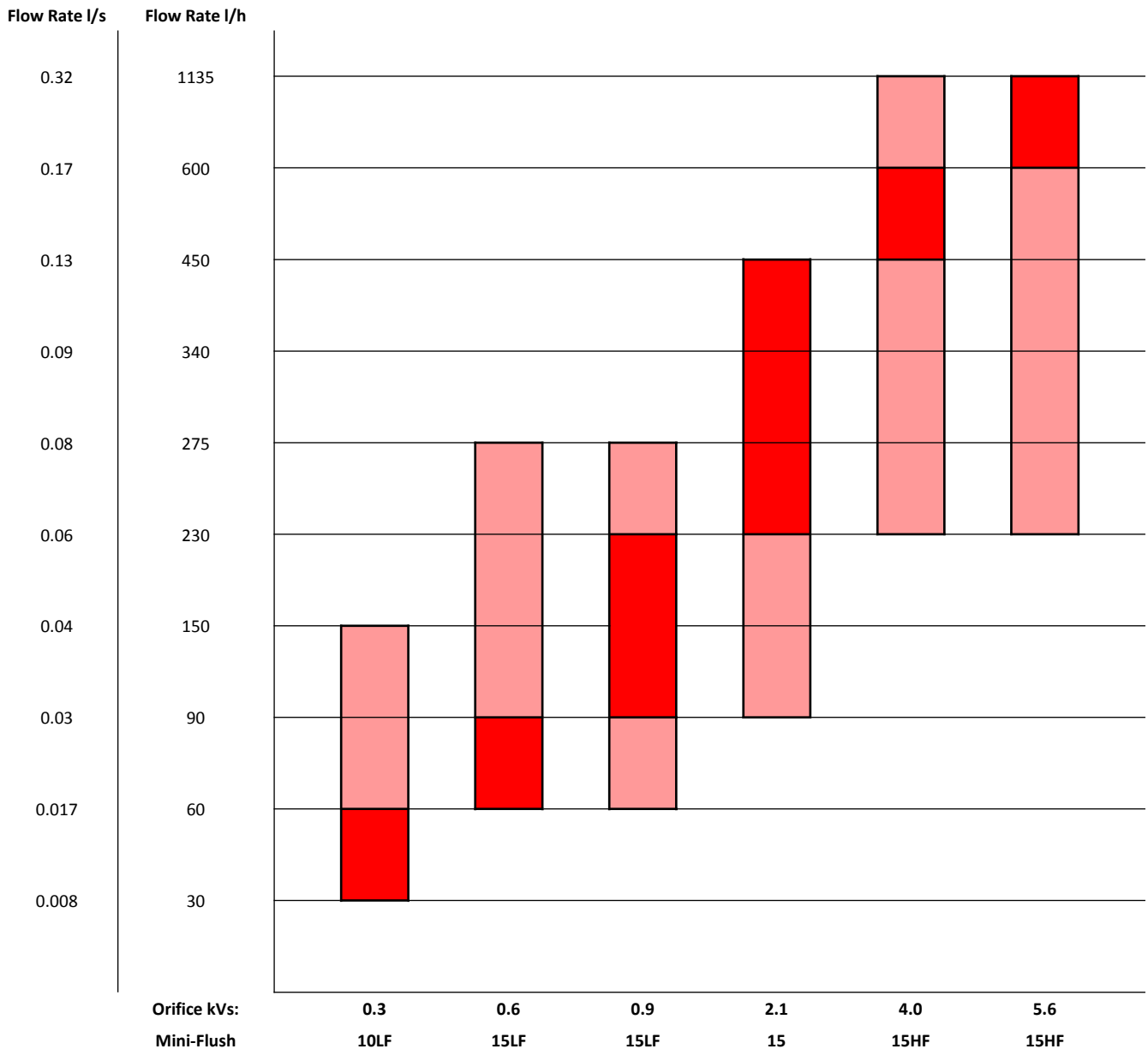
The control valve has a linear characteristic. It features a stroke limitation function that allows adjustment of the Kv value. The percentage marked on the scale equals the percentage of 100% flow marked on the pointer. Changing the stroke limitation is done by lifting the blocking mechanism and turning the top of the valve to the desired position, showed on the scale as a percentage. A blocking mechanism automatically prevents unwanted changing of the setting.



PICV Technical Details

Size		10LF	15LF	15	15HF
Flow Range l/s	Nom	0.042	0.076	0.125	0.315
	Min	0.008	0.015	0.025	0.063
Standard Setting Range		20-100%			
Starting Differential Pressure	kPa	16	16	16	35
Max Differential Pressure	Bar	6	6	6	6
Control Range		1:1000			
Control Characteristic		Linear/Logarithmic with actuator			
Leakage Rate		No visible leakage			
Flow Medium		Water and water mixtures for closed heating and cooling systems according to plant type I for DIN EN14868			
Pressure Rating	PN	10 as Standard (16 is available on request)			
Medium Temperature	°C	-10...+120			
Storage and Transport Temp	°C	-40...70			
Stroke	mm	2.25			
PICV Connection		Union Threaded/Solder			
Body Material		DZR Brass			
Membrane and O-Ring Material		EPDM			
Control Valve Cone Material		CuZn40Pb3-CW614N			

Selection Chart



This chart is for guidance only. Any selections must be checked with a Tacotherm representative before a final selection can be made

Notes:

To select a manifold size take your required design flow rate. Find the flow points it falls between on the flow axis, draw a line horizontally. Select the manifolds in red for optimum selection

Where you have intersected a manifold in pink, you can select this manifold but it may not be the optimum selection for accurate flow measurement and you may experience high orifice pressure loss. PICV flow control performance will not be affected by selection within this range.

Pressure Independent Control Valve Specification

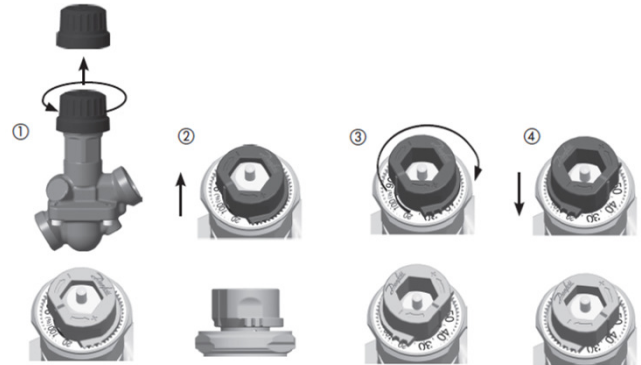
Setting the AB-QM

The calculated flow can be adjusted easily without using special tools.

To change the presetting (factory setting is 100 %) follow the four steps below:

- ① Remove the blue protective cap or the mounted actuator
- ② Raise the grey pointer
- ③ Turn (clock wise to decrease) to the new presetting
- ④ Press grey pointer back into lock position.

After click presetting is locked.



The presetting scale indicates values from 100 % flow to 0 %. Clock wise turning would decrease the flow value while counter clock wise would increase it.

If the valve is a DN 15 then the nom flow

= 450 l/h =100 % presetting. To set a flow of 270 l/h you have to set:
270/450 = 60 %.

Tacotherm recommends a presetting/flow from 20 % to 100 %.
Factory presetting is 100 %.

Verification of Flow Rate on Mini-Flush

To verify the flow rate, the following steps should be taken:

- ① Find the kVs of the measuring station on the orifice kVs chart
- ② Calculate the required pressure drop using the kVs and design flow rate, using the following formula:
Q=Kv x √ΔP
Note Q=m3/h, ΔP=Bar
- ③ Plug a manometer into the test points on the measuring station
- ④ If you are getting the required pressure, you have the desired flow rate

A guide to the expected pressure losses can be found in the chart below:

Manifold Type	Nominal Flow Rate l/h	Orifice Kvs	Measuring Station Pressure Drop at PICV Setting (kPa)								
			100%	90%	80%	70%	60%	50%	40%	30%	20%
Miniflush 40 10LF 0.3	150	0.3	25.000	20.250	16.000	12.250	9.000	6.250	4.000	2.250	1.000
Miniflush 40 15LF 0.6	275	0.6	21.007	17.016	13.444	10.293	7.563	5.252	3.361	1.891	0.840
Miniflush 40 15LF 0.9	275	0.9	9.336	7.563	5.975	4.575	3.361	2.334	1.494	0.840	0.373
Miniflush 40 15 2.1	450	2.4	3.516	2.848	2.250	1.723	1.266	0.879	0.563	0.316	0.141
Miniflush 40 15HF 4	1135	4.0	8.051	6.522	5.153	3.945	2.899	2.013	1.288	0.725	0.322
Miniflush 40 15HF 5.6	1135	5.6	4.108	3.327	2.629	2.013	1.479	1.027	0.657	0.370	0.164

The highlighted cells, indicate the best settings for flow rate measurement

DN15 Mini-Flush Dimensions

